



Standard Gain Horn Antenna

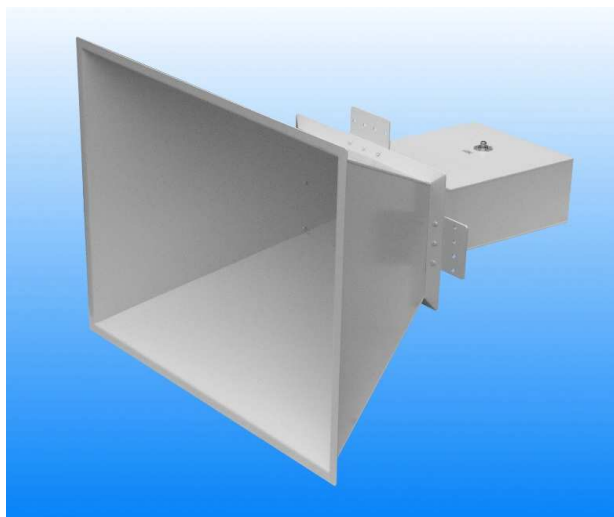
0.49 to 0.75 GHz

WG2 R6 WR1500

Catalogue number **QSH-SL-0.5-0.75-N-15**

Q-par reference **QMS-00064**

Contents **Summary
Antenna Gain
Beamwidth
VSWR**

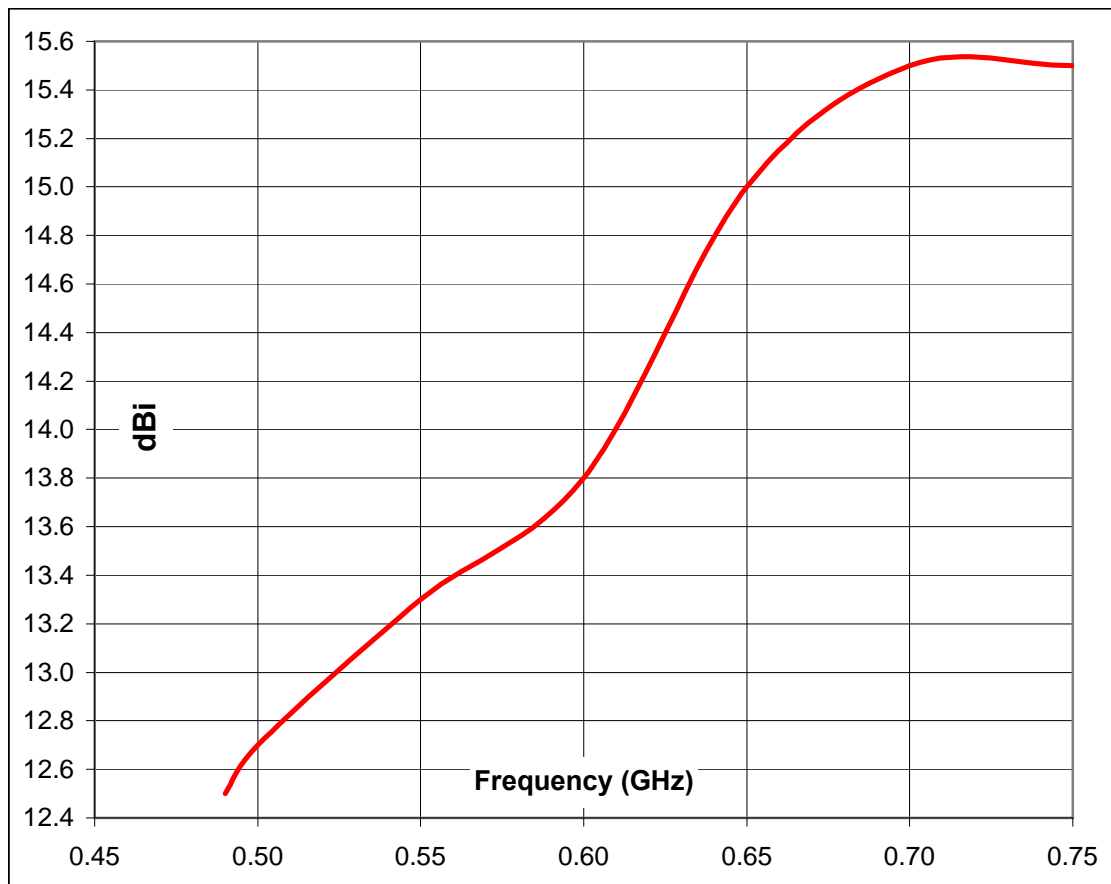


Summary

Frequency	0.49 to 0.75 GHz
Connector type	N type jack
VSWR	< 1.5:1
Gain	12.5 to 15.5 dBi
Power handling	400 Watt c.w.
Weight	19.4 kg - nominal
Size- max.	1056 x 856 mm external aperture x 996 mm long
Mounting	Mounting brackets fitted on two sides, at C of G each having 4 holes, diameter 10 mm; 40 mm centres

Typical Antenna Gain

This is calculated by reference to standard gain horn antennas, and cross checked with reference to the antenna beamwidth, with an estimated error of +/- 0.8dB.



The recommended far field range for this antenna is > 5.6 Metres

Frequency GHz	Gain dBi	Antenna Factor dB/m
0.49	12.5	11.5
0.55	13.3	11.7
0.60	13.8	12.0
0.65	15.0	11.5
0.75	15.5	12.2

